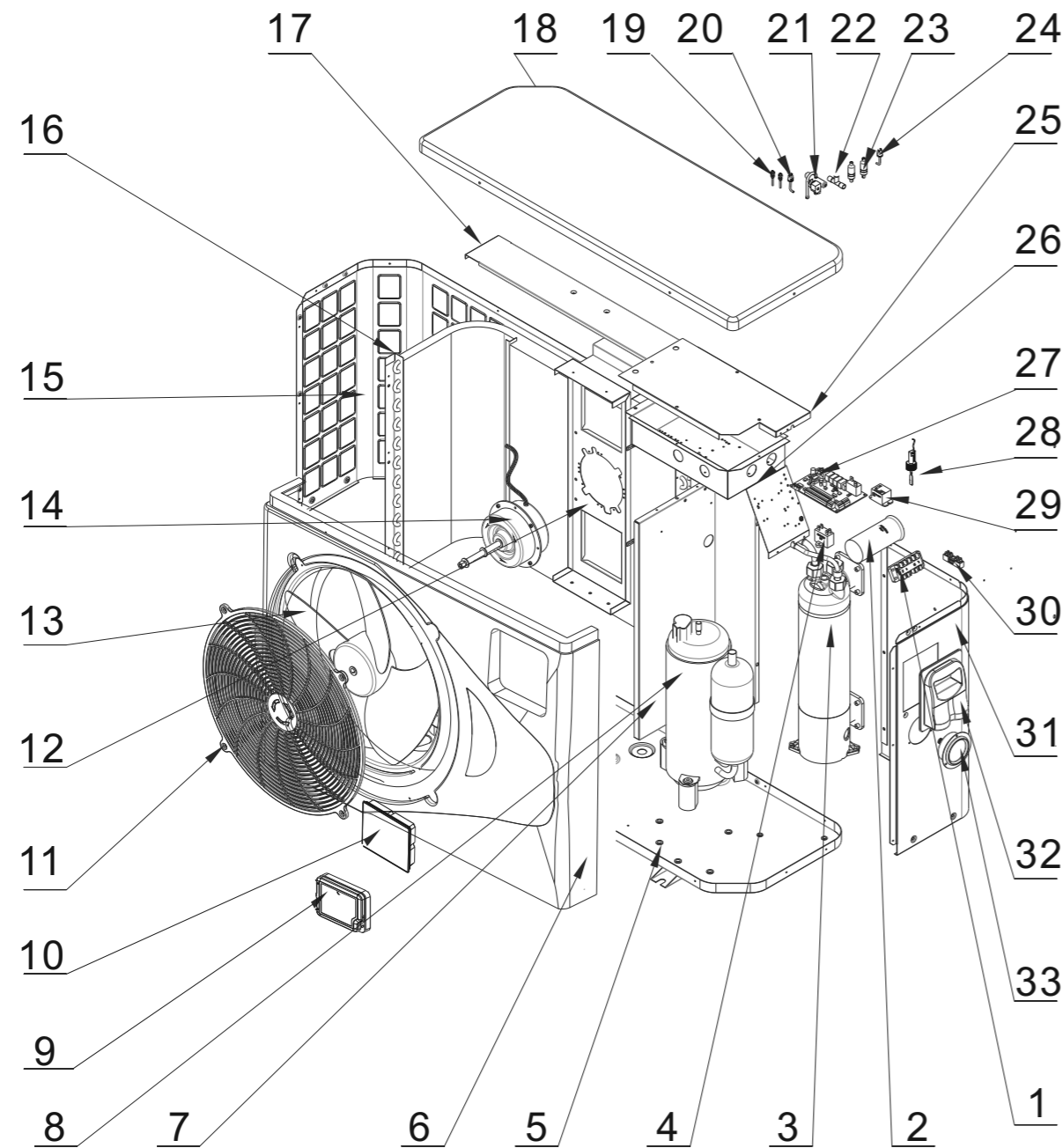


7024525 - HYDRO-PRO HEAT PUMP, TYPE P ON/OFF (TYPE P8/32)



7024525 - HYDRO-PRO HEAT PUMP, TYPE P ON/OFF (TYPE P8/32)

NR.	DESCRIPTION	PART NR.
1	5-way wire connector	7011025
2	Condensator 60µF type round AMP	7010433
3	Titanium heat exchanger P8/32	7024874
4	Condensator 3µF type square plugged	7010417
5	Chassis	
6	Front panel	
7	Middle separation panel	
8	Compressor WHP06760GUV-C8LU	
9	Waterproof cover	
10	LCD touch-screen display assembly Wi-Fi	7016596
11	Fan motor net	
12	Fan motor bracket	
13	Fan blade 440mmx152mm, 10mm hole anticlockwise, 4 blades 440 mm	7011024
14	Axial fan motor 35W YDK35-6	7024869
15	Back panel	
16	Evaporator	
17	Supporting panel	
18	Top lid 956 x 360 mm	7033047
19	Hydro-Pro+ Premium Needle valve messing	7006466
20	Low pressure switch 0.3MPa/0.15MPa	7011009
21	4-way reverse valve	
22	3-way connection	
23	Filter(1)	
24	High pressure switch 3.2MPa/4.4MPa	7011008
25	Electrical box cover	
26	Electrical box	
27a	PC 1001 controller 82300022-35005-310457 P8/32	7027823
27b	PC 1001 controller 82300022-35005-310457	7026538
28	Water flow switch with glue adapter 32 mm	7006471
29	Relay	
30	2-way wire connector	7011019
31	Right pannel	
32	Connected cover	
33	Pressure meter 0 - 65bar gas F 32	7024868
	Temperature sensor(5K)	7011007
	Exhausted temperature sensor 50K	7024867
	Rubber feet	
	Flotide Union coupler with O-ring PVC-U 50 mm x 1 1/2" glue socket x male thread 10bar grey	0100432
	10 metre extension cable	7025168
	Winter cover L*W*H 105*35*57 cm	7009813